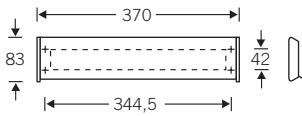




**43829**

370 x 83mm letter plate complete with fixings.

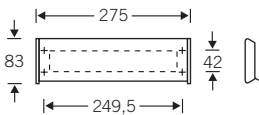
Finish: AS



**43826**

275 x 83mm letter plate complete with fixings.

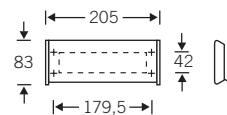
Finish: AS



**43827**

205 x 83mm letter plate complete with fixings.

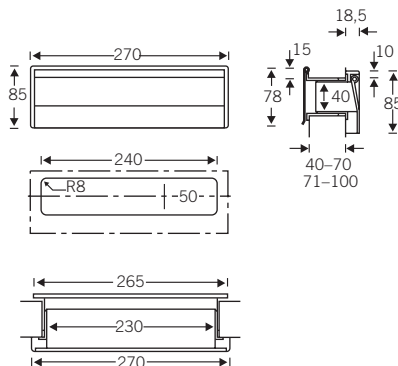
Finish: AS



**43835.0**

270 x 85mm letter plate complete with spacer, inner flap and fixings.

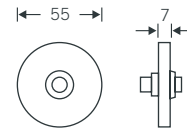
Finish: AS



**43863**

55Ø x 7mm bell push with plastic button. Only to be connected to a low voltage circuit (max. 24V/40 mA when connected to 8V).

Finish: AS



**43863S**

55Ø x 7mm bell push with stainless steel button. Only to be connected to a low voltage circuit (max. 24V/40 mA when connected to 8V).

Finishes: ST • SP

